

Materialprüfungsamt Nordrhein-Westfalen - 44285 Dortmund

dormakaba Deutschland GmbH
DORMA Platz 1
58256 Ennepetal
Germany

Your reference: PS
Your message from : 25.02.2019
Our reference: 120001925.15-02
Extension number: 307
E-Mail: moor@mpanrw.de
Date: 03.04.2019

Extension of validity of a test certificate.

Dear Ladies and Gentlemen,

Concerning the results of the initial type test carried out with the electrically powered hold-open devices EM 500 G/U/A 24 V AC/DC you applied for the extension of validity of test certificate no. 120001925.15-02.

The tests have been carried out on the base of the DIN EN 1155:2003-04 (see test report no.: 120001925.15-01).

Today the EN 1155:1997/A1:2002/AC:2006 is valid.

The changes which have been made within the revision of this version of the EN 1155 have no influence to the results and the classification of the electrically powered hold-open devices EM 500 G/U/A 24 V AC/DC.

You have also assured that the electrically powered hold-open devices were not modified since the initial type test.

Therefore the validity of the test certificate no.: 120001925.15-02 is extended up to April, 3rd 2024.

Best regards,
By order



N. Moor
Department Official



Hausanschrift
Marsbruchstraße 186
D-44287 Dortmund
Telefon (0231) 45 02-0
Telefax (0231) 45 85 49
E-Mail: info@mpanrw.de
Internet: www.mpanrw.de

Bahnstation: Dortmund-Hbf.
Telegramme: prüfam Dortmund
Öffentliche Verkehrsmittel
Stadtbahn U47 ab Hbf.
Richtung Aplerbeck
bis „Allerstraße“

Außenstelle Erwitte
Auf den Thränen
D-59597 Erwitte
Telefon (0 29 43) 897-0
Telefax (0 29 43) 897-33
E-Mail: info@mpanrw.de
Internet: www.mpanrw.de

Bankverbindungen
Deutsche Bundesbank Filiale Dortmund
IBAN DE14 4400 0000 0044 0018 15
BIC MARKDEF 1440
BLZ 440 000 00
Kto. 440 018 15
Ust.-IdNr.: DE 124 728 648

Test Certificate No. 120001925.15-02

2nd Copy

Contraction Party

Dorma GmbH & Co. KG
 Breckerfelder Str. 42-48
 D-58256 Ennepetal

Date of order: 17.05.2000

Date of receive of samples: 17.05.2000

Date of test: 05.07.2010 to 10.07.2010

Assignment

Testing of electrically powered hold open devices (hold open magnets) in accordance with DIN EN 1155: 2003-04.

Description of samples

Electrically powered hold open devices (hold open magnets) „Dorma EM“ in combination with door closers according to DIN EN 1154.

Description of the Test and Test Results

See test report No.120001925.15-01.

Evaluation of the Test Results

The following electrically hold open devices “Dorma EM” fulfil the requirements of the DIN EN 1155. Door leaf fixing corresponding with appendix 1 to 3.

They are classified as follows in accordance with sec. 4 of DIN EN 1155

	Accessories	Classification					
EM 500 G/U/A 24 V AC/DC	MAG with standard plate MAG with ball joint MAT with telescopic damping function MAW with angle adjustment	3	8	3 7	1	1	3

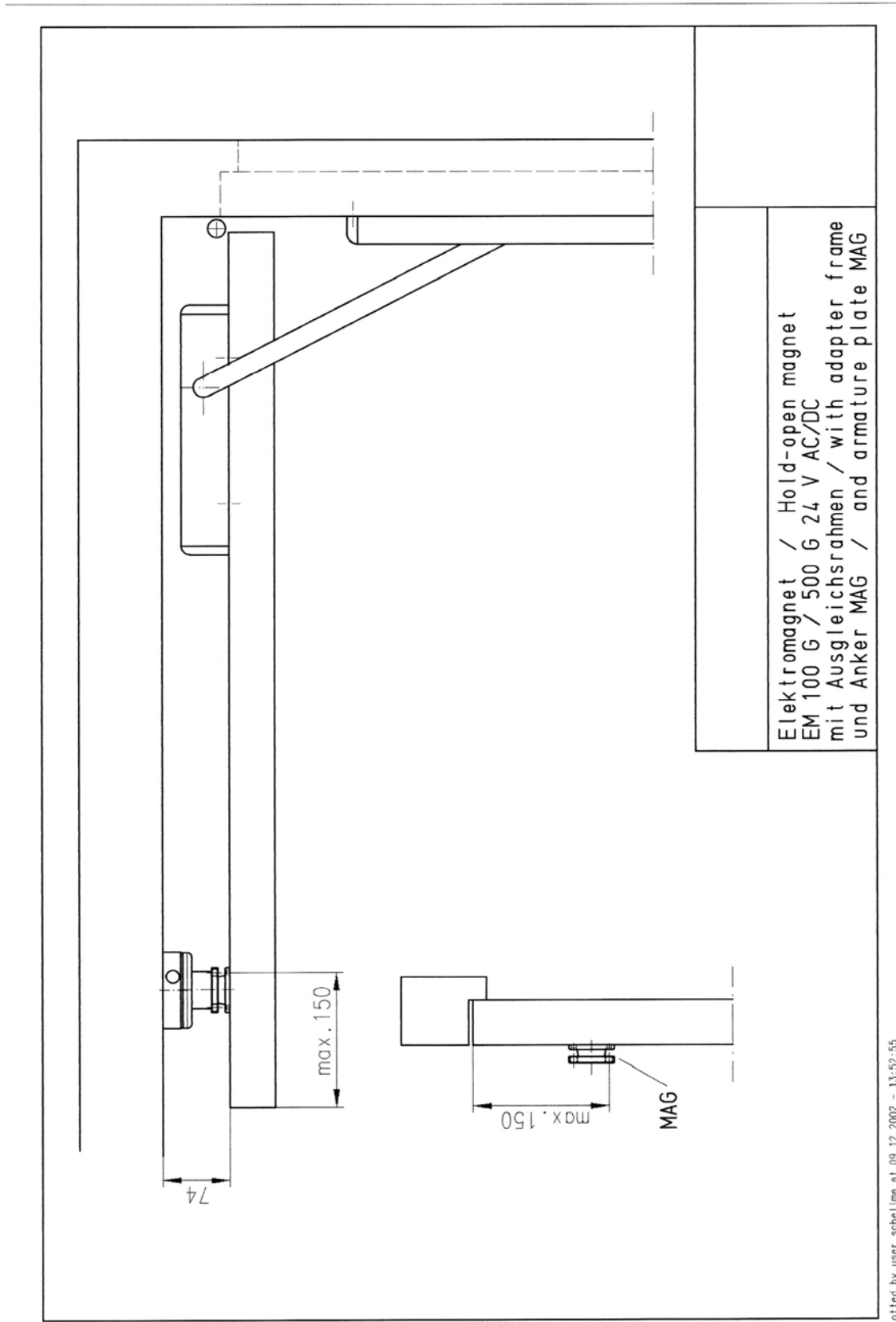
Compliance is required with the national building regulations governing the employment of electrically controlled hold open systems for fire/smoke door assemblies.

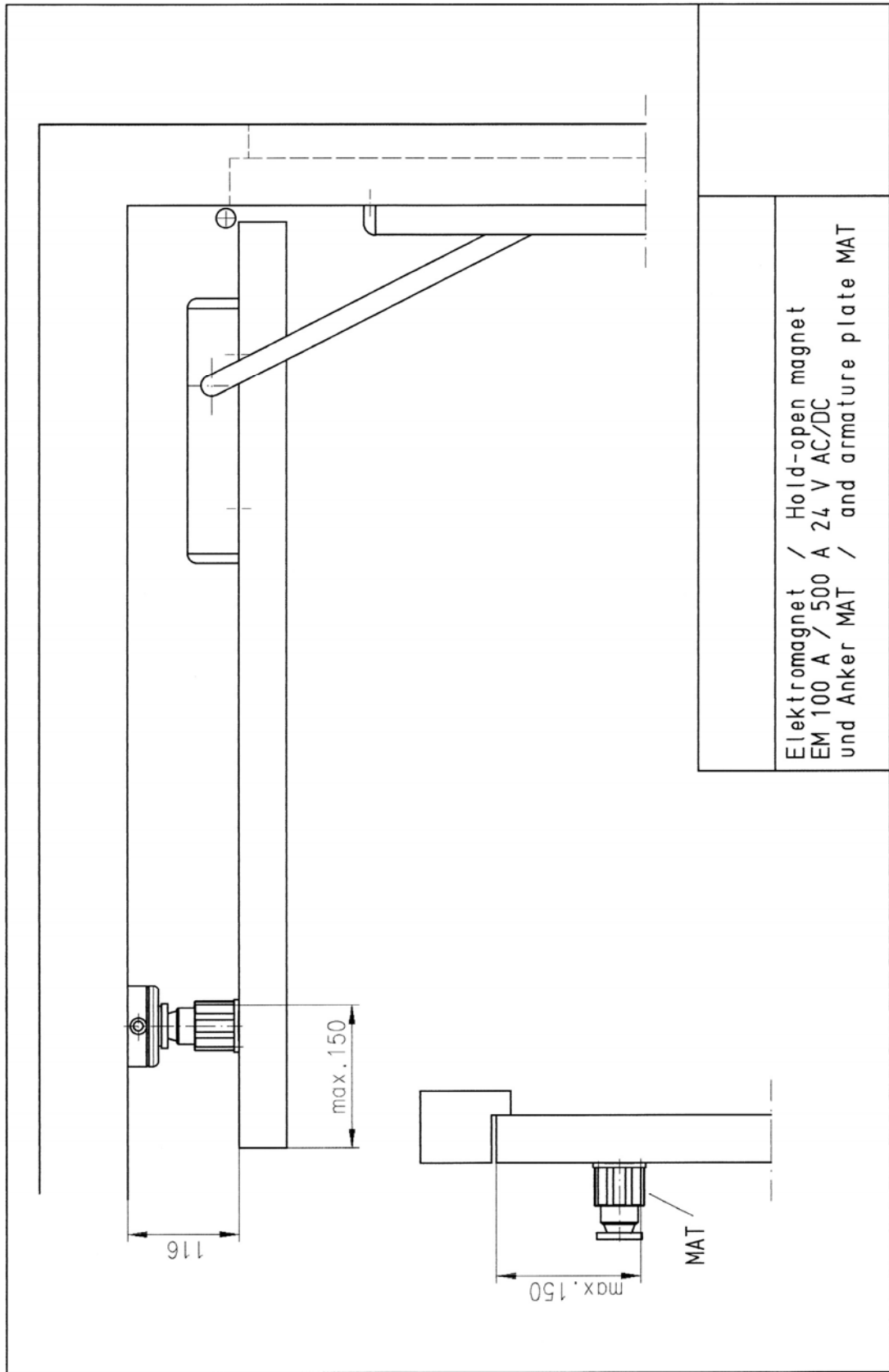
Dortmund, den 16.08.2010
 Im Auftrag

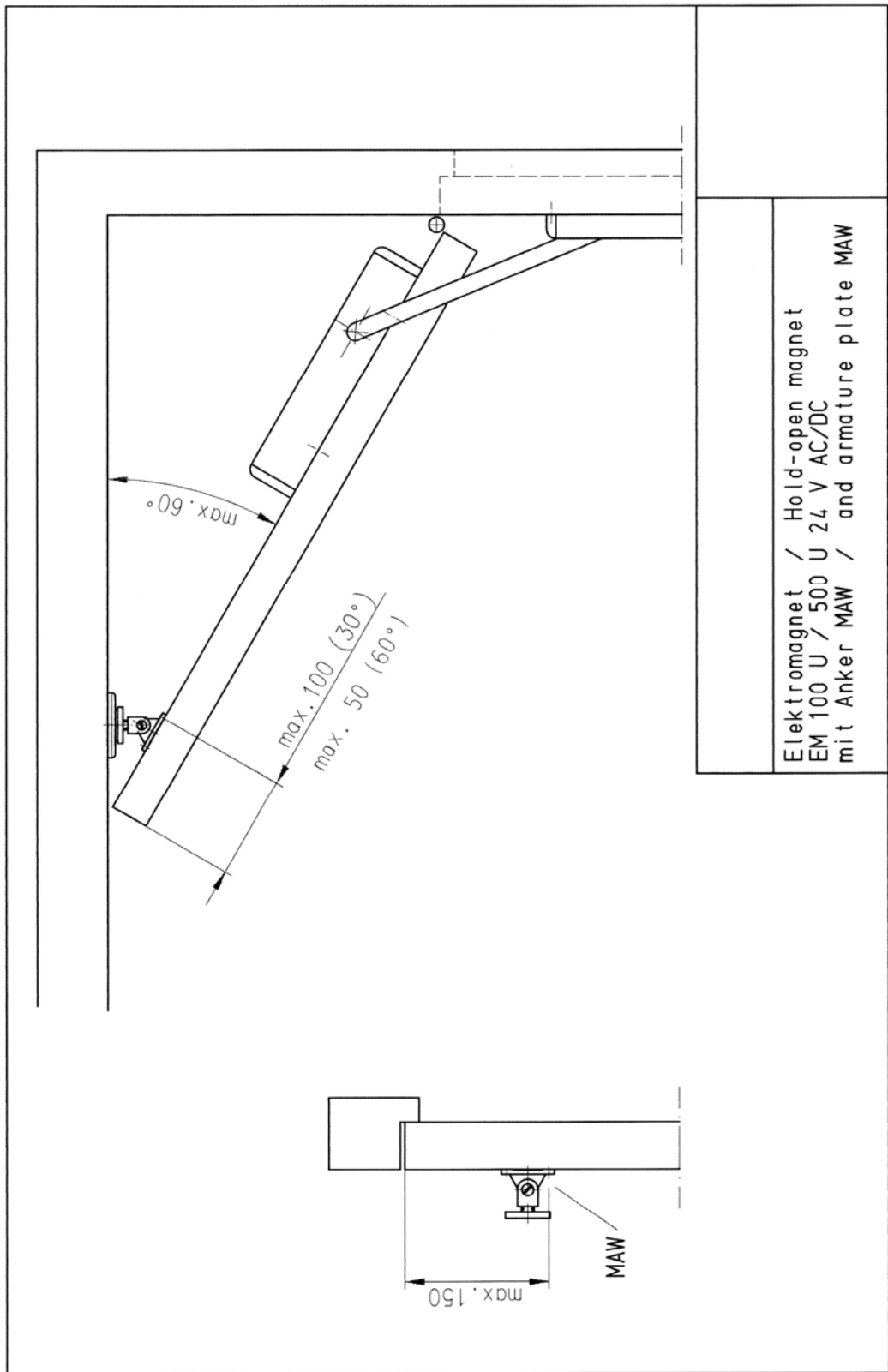


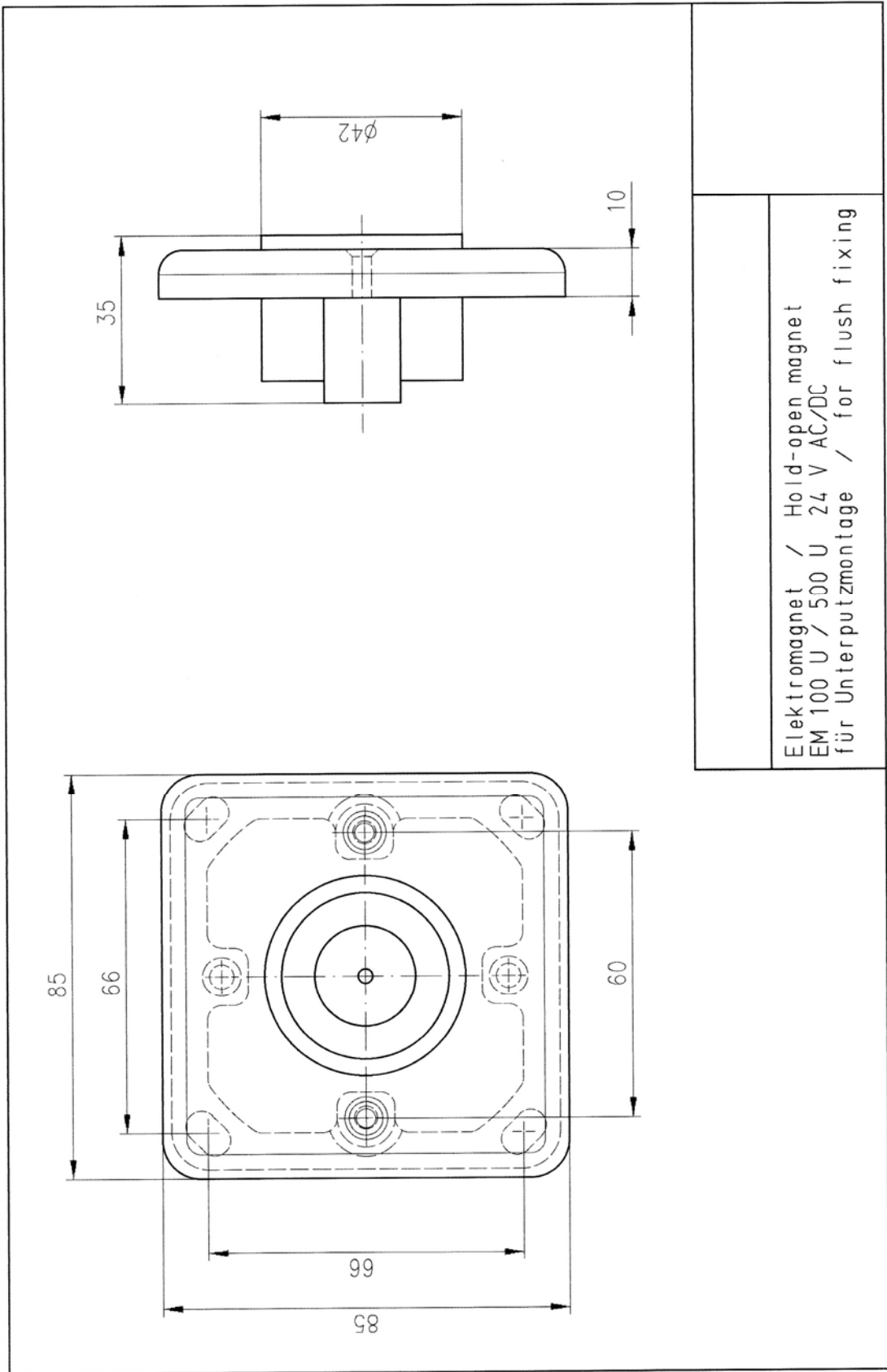
H. Jansen
 Head of test laboratory

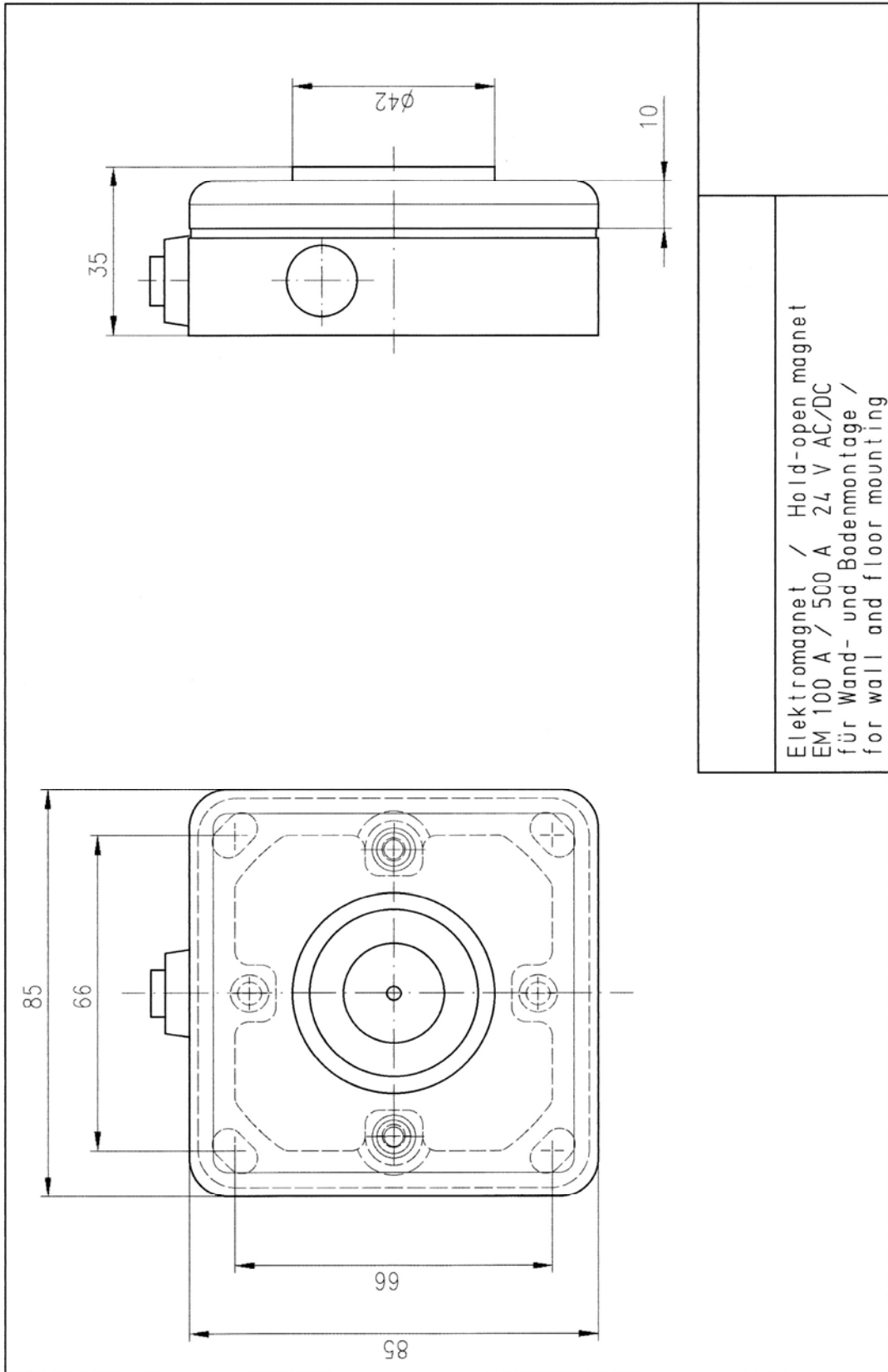


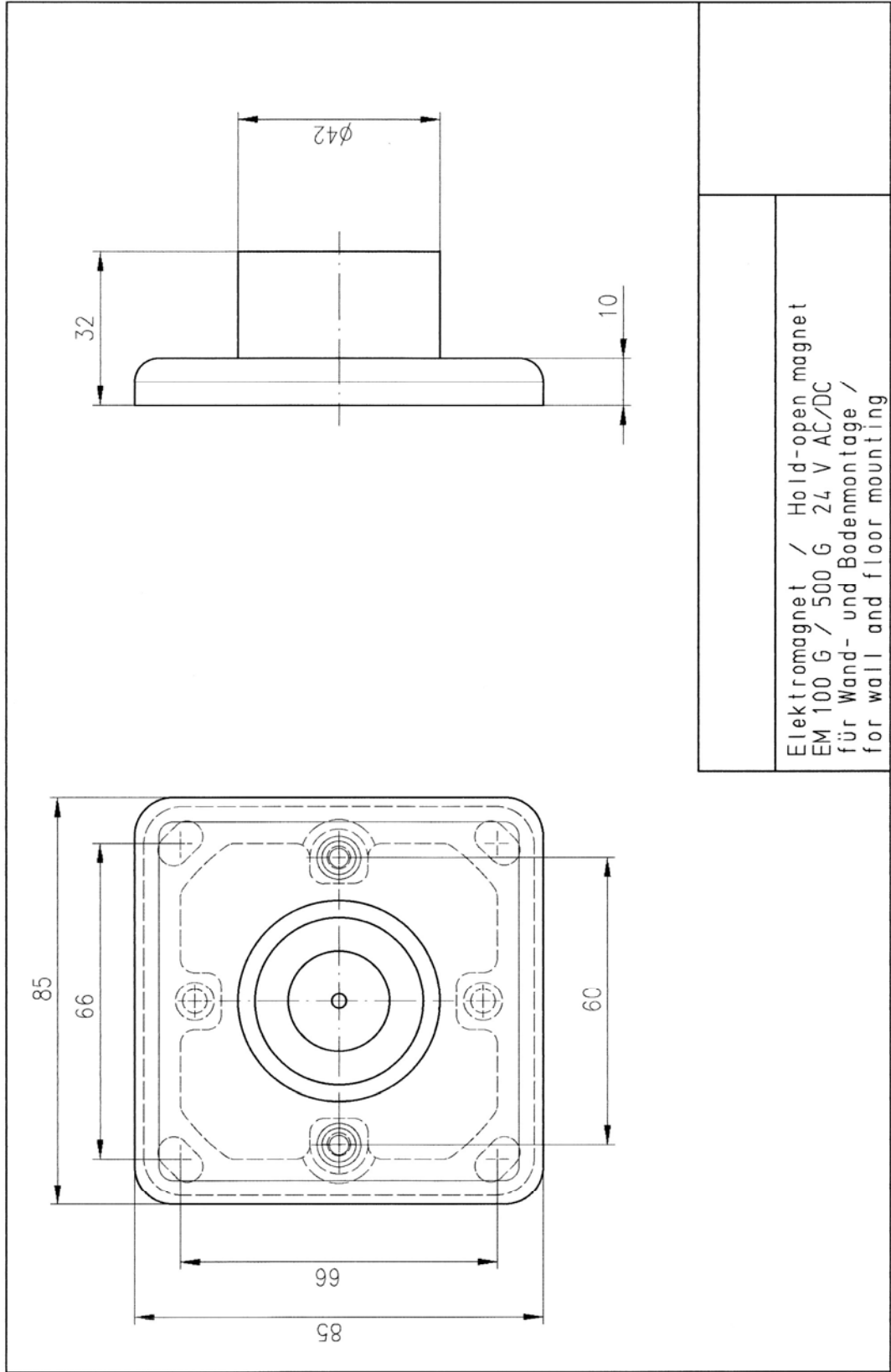




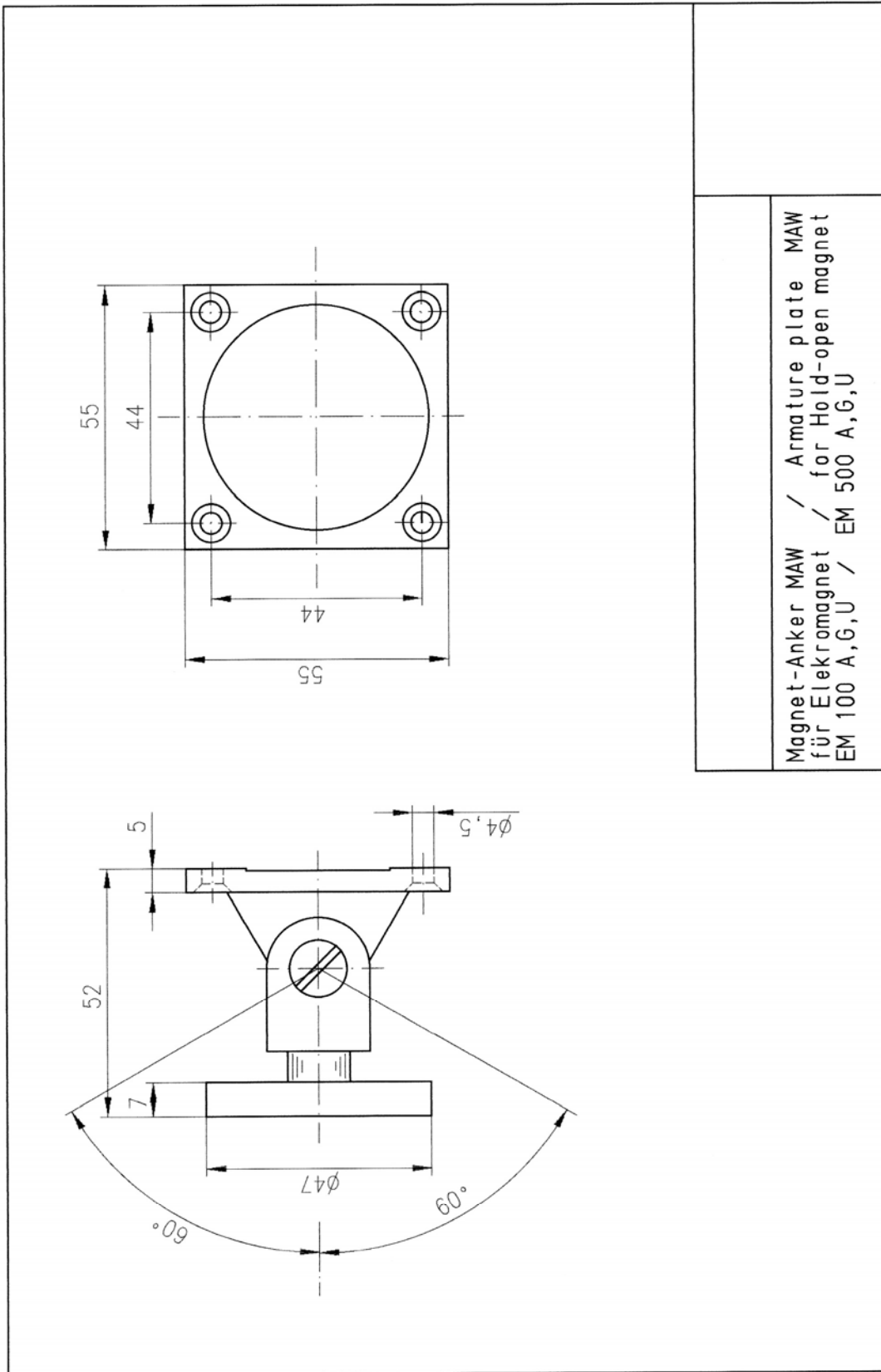


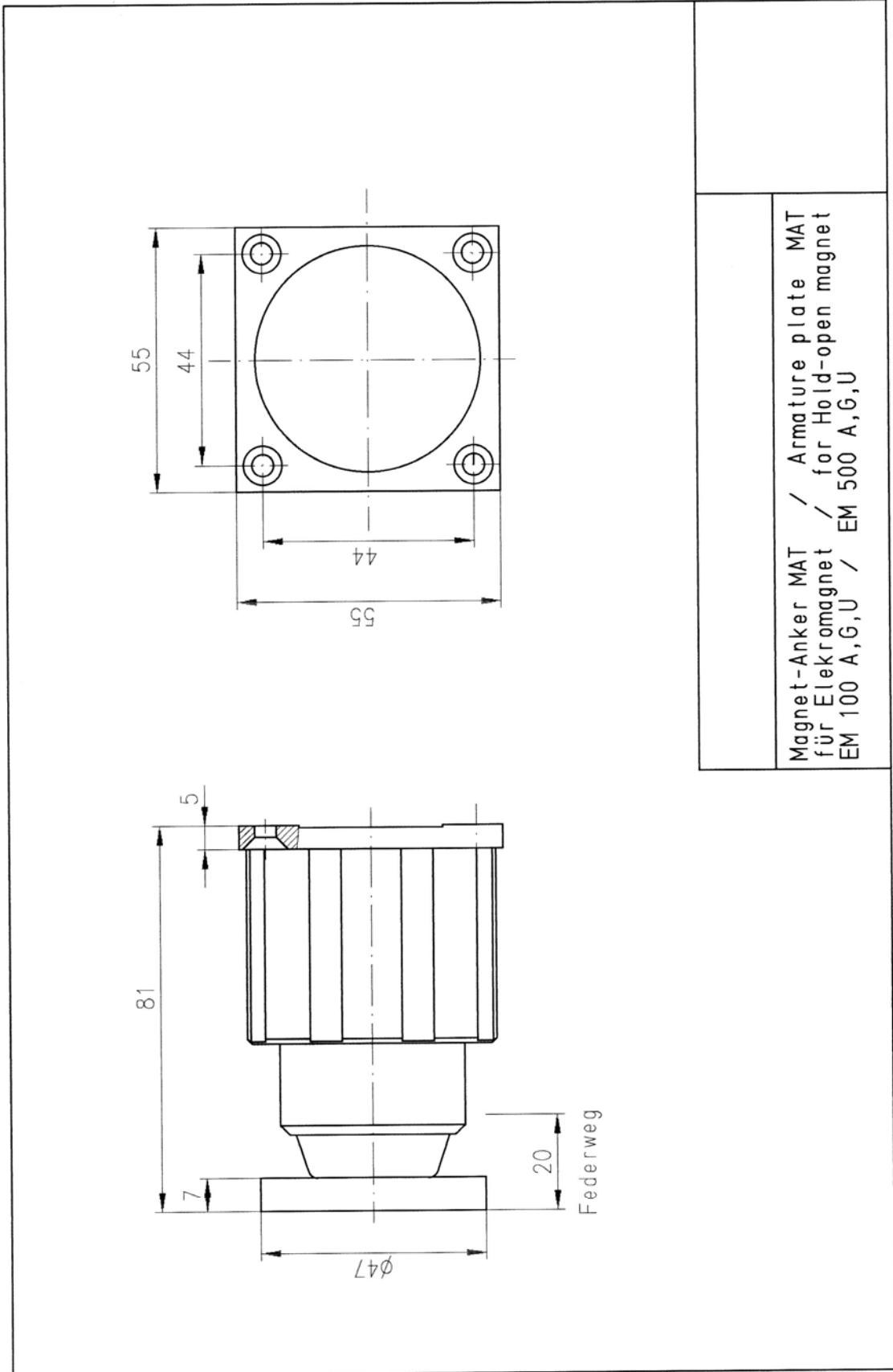


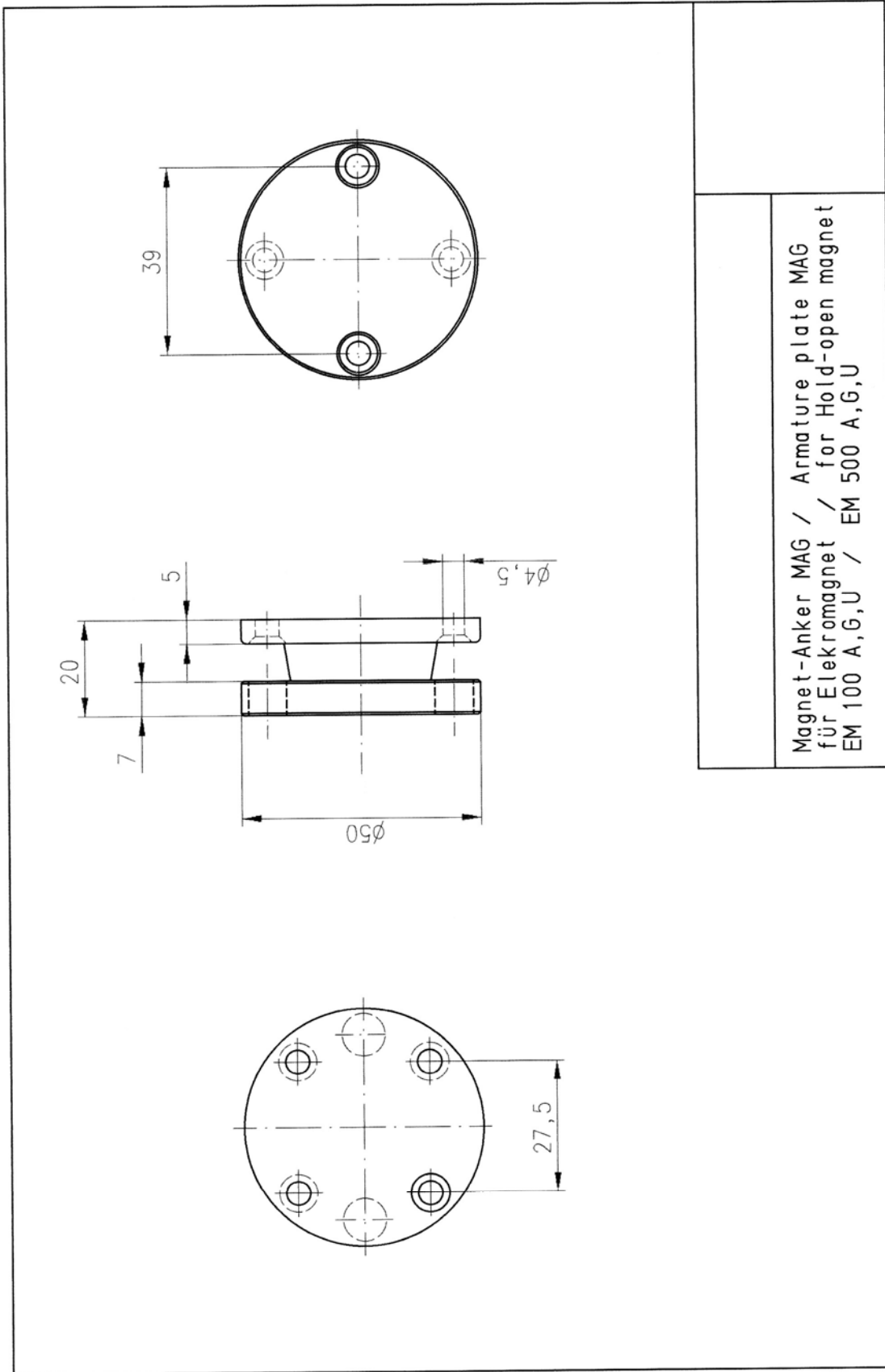


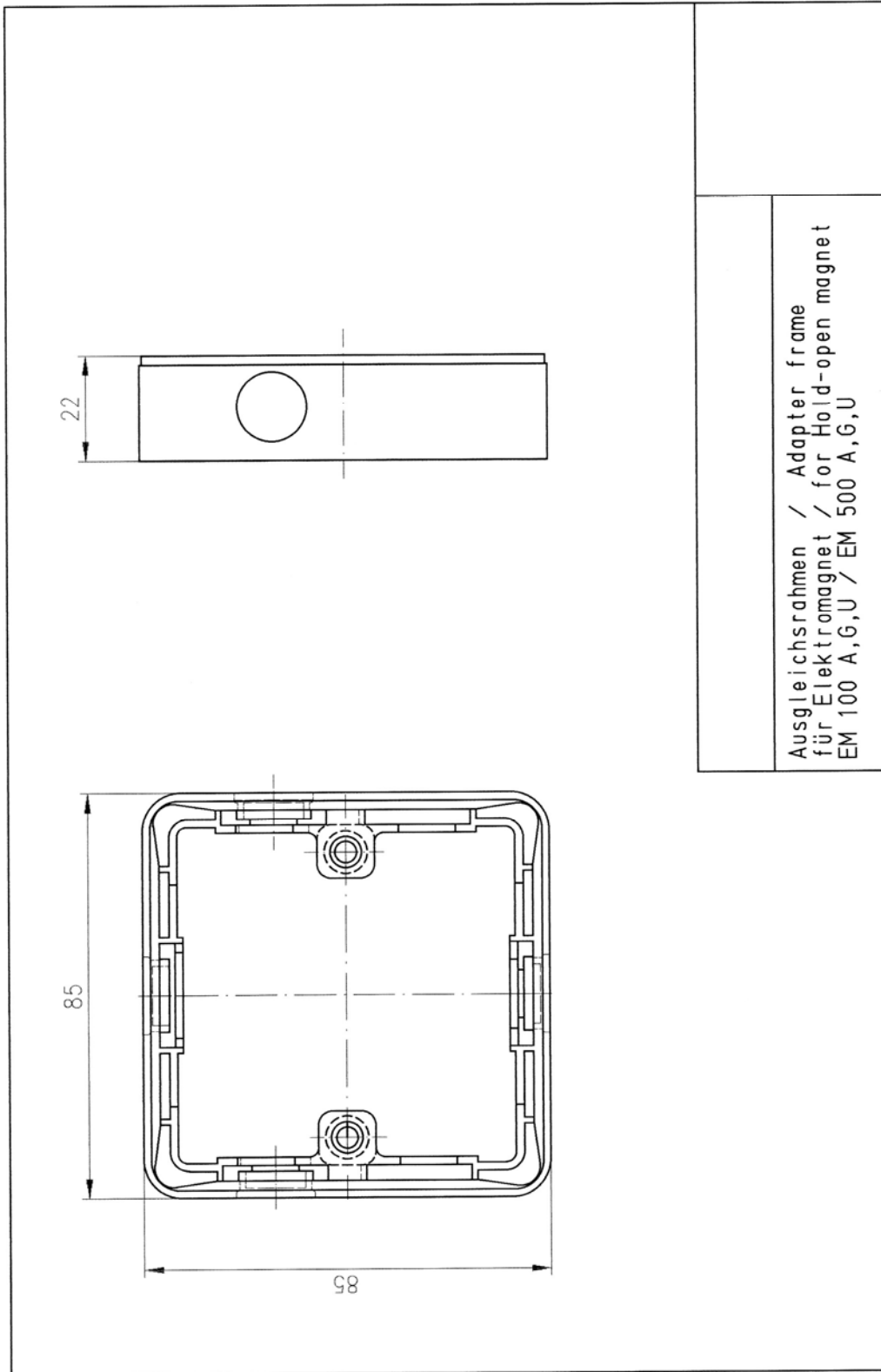


Elektromagnet / Hold-open magnet
 EM 100 G / 500 G 24 V AC/DC
 für Wand- und Bodenmontage /
 for wall and floor mounting









Ausgleichsrahmen / Adapter frame
für Elektromagnet / for Hold-open magnet
EM 100 A, G, U / EM 500 A, G, U